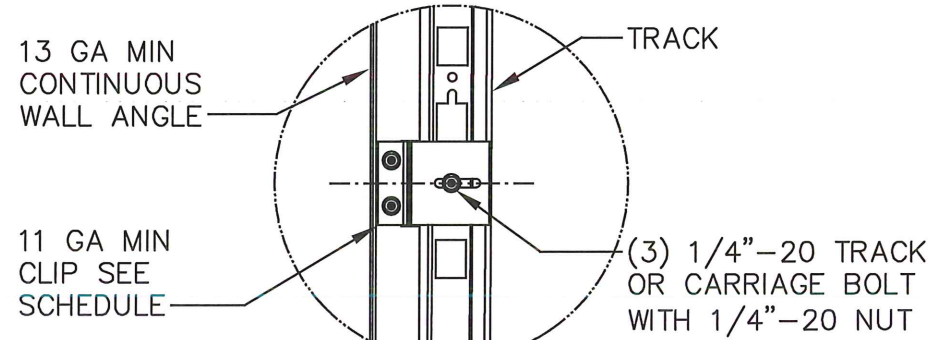
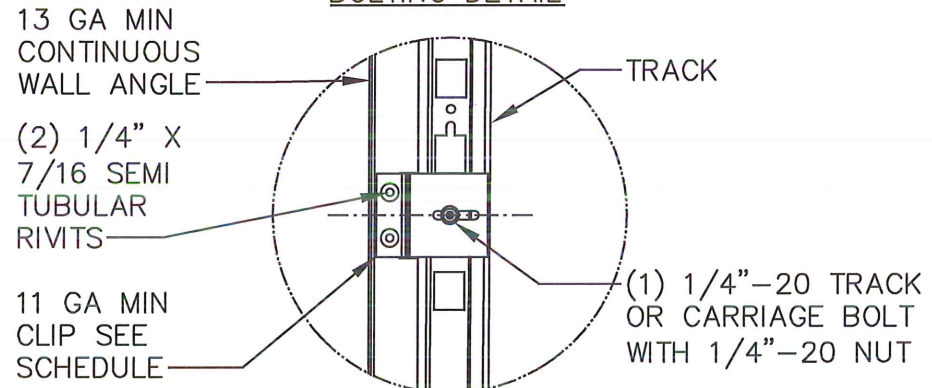


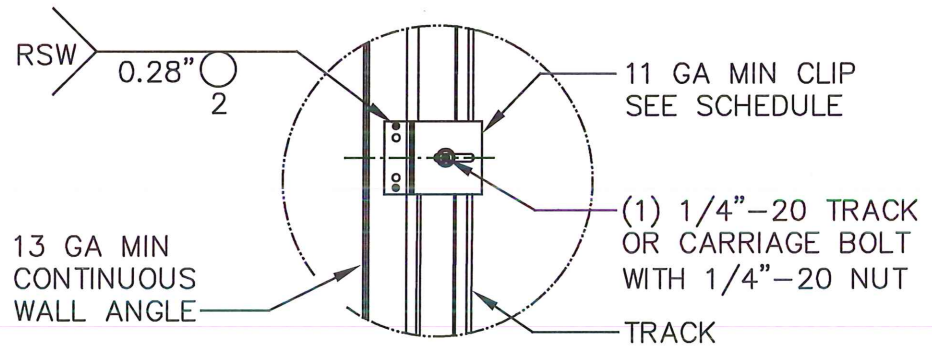
CLIPS TO BE EITHER RIVETED, BOLTED, OR WELDED. SEE DETAILS THIS PAGE.



TYPICAL CLIP BOLTING DETAIL



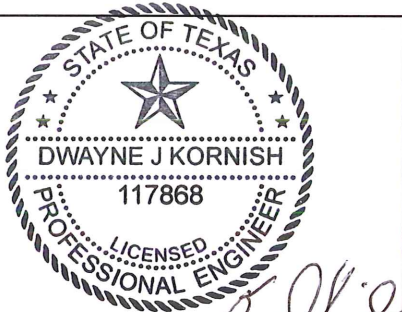
TYPICAL CLIP RIVETING DETAIL



TYPICAL CLIP WELDING DETAIL

REVISIONS

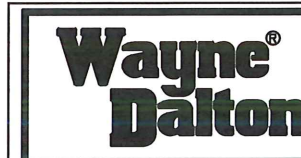
- P2 2 INCH TRACK-CLIPS-TEXAS WALL ANGLE 12 FOOT UPDATED BPJ 6/11/03
- P3 UPDATED FORMAT. INCREASED ALLOWABLE PRESSURES TO +46.00/-52.00 PSF FOR ALL DOOR WIDTHS. CHANGED "TEXAS WALL ANGLE" TO "CONTINUOUS WALL ANGLE". ADDED SUBSTRATE MOUNTING DETAIL, CHANGED TO TITEN HD ANCHORS GRT 4/2/07
- P4 CHANGED FORMAT. ADDED MODELS 9800 AND 8024 WITH OVERLAY TO TRACK CLIP SCHEDULE. GRT 8/21/07
- P5 UPDATED MODELS LISTED IN CHARTS. UPDATED SPLICE & CLIP SCHEDULES. DLP 9/06/07
- P6 UPDATE MOUNTING DETAIL DRAWINGS. GRT 10/05/07
- P7 UPDATED CHARTS TO ELIMINATE THE USE OF THE #8 CLIP (REPLACED WITH #9 ACROSS THE BOARD). DLP 10/24/07
- P8 UPDATED STEEL MOUNTING DETAIL MRB 04/11/08
- P9 EXPANDED 1-1/2" TO 1-3/8" DOOR THICKNESS CHART UP TO 14' HIGH. GRT 12/11/08
- P10 UPDATED TITLE BLOCK GRT 6/2/10
- P11 UPDATED TITLE BLOCK. REMOVED CHART. GRT 11/15/13
- P12 UPDATED TITLE BLOCK. ESC 6/15/17



DWAYNE J. KORNISH, PE
4576 COUNTY ROAD 160
MOUNT HOPE, OHIO
FL PE 77945 TX PE 117868

PROFESSIONAL ENGINEER'S SEAL PROVIDED ONLY FOR VERIFICATION OF WINDLOAD CONSTRUCTION DETAILS.

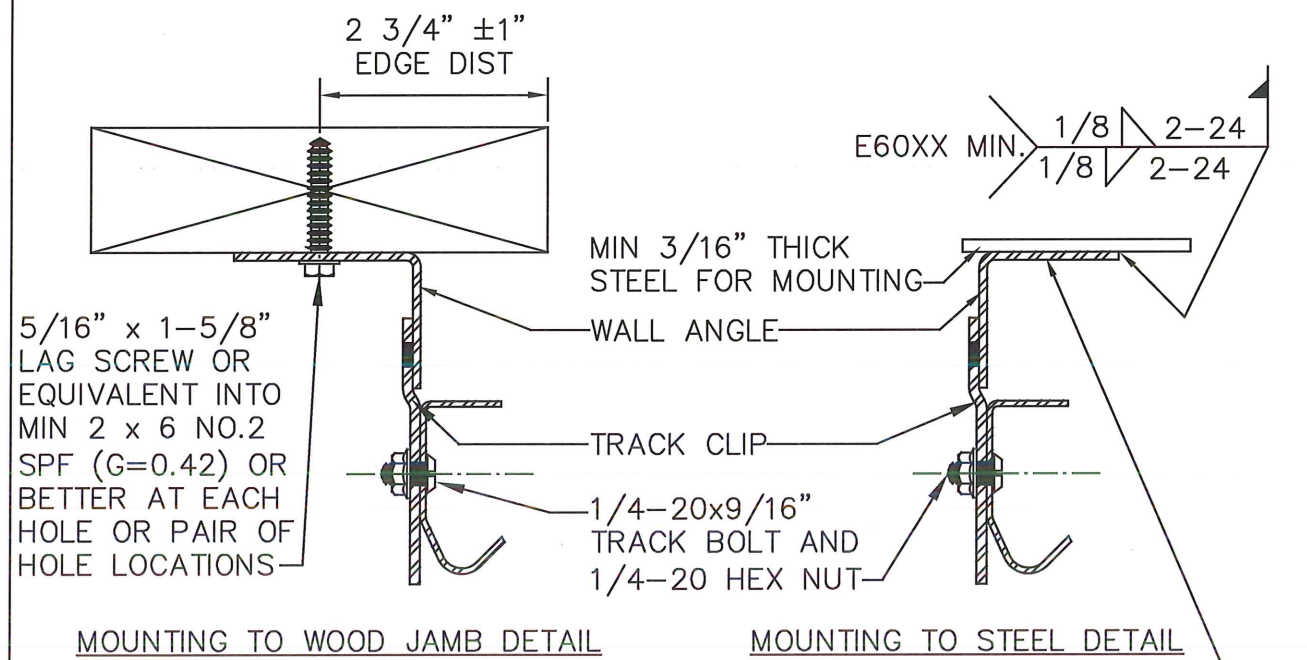
DESIGN PRESSURE CHART	
MAX DOOR WIDTH	MAX PSF
9'-0"	+46.0 PSF/-52.0 PSF
16'-0"	+46.0 PSF/-52.0 PSF
18'-0"	+46.0 PSF/-52.0 PSF



3395 ADDISON DRIVE
PENSACOLA, FLORIDA 32514
(850) 474-9890

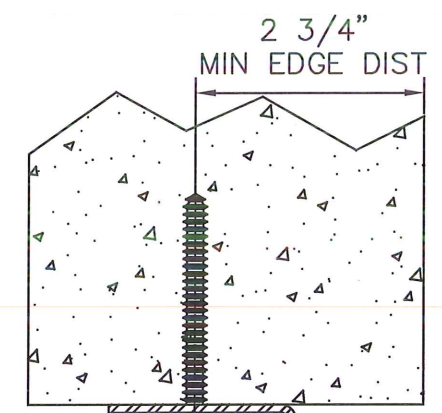
	DATE	NAME
DRAWN	8/21/07	GRT
CHECKED	8/21/07	MRB
SHEET 1 OF 2		
DRAWING PART NO.	307494	REV. P12

TRACK SUPPLEMENT CHART



MOUNTING TO WOOD JAMB DETAIL

MOUNTING TO STEEL DETAIL



CONCRETE MOUNTING DETAIL

OPTIONAL: WALL ANGLE MAY BE ATTACHED TO SUPPORTING STEEL WITH MIN. (1) 1/4-20x7/8" SELF DRILLING SCREW WITH 1" O.D. WASHER AT EACH HOLE OR PAIR OF HOLE LOCATIONS IN LIEU OF WELDING

- 3/8" SIMPSON TITEN HD, 2-3/4" MIN EMBED INTO MIN 2000 PSI CONCRETE AT EACH HOLE OR PAIR OF HOLE LOCATIONS
- WALL ANGLE
- 1/4-20x9/16" TRACK BOLT AND 1/4-20 HEX NUT
- TRACK CLIP

REVISIONS	
P2	2 INCH TRACK-CLIPS-TEXAS WALL ANGLE 12 FOOT UPDATED BPJ 6/11/03
P3	UPDATED FORMAT. INCREASED ALLOWABLE PRESSURES TO +46.00/-52.00 PSF FOR ALL DOOR WIDTHS. CHANGED "TEXAS WALL ANGLE" TO "CONTINUOUS WALL ANGLE". ADDED SUBSTRATE MOUNTING DETAIL, CHANGED TO TITEN HD ANCHORS GRT 4/2/07
P4	CHANGED FORMAT. ADDED MODELS 9800 AND 8024 WITH OVERLAY TO TRACK CLIP SCHEDULE. GRT 8/21/07
P5	UPDATED MODELS LISTED IN CHARTS. UPDATED SPLICE & CLIP SCHEDULES. DLP 9/06/07
P6	UPDATE MOUNTING DETAIL DRAWINGS. GRT 10/05/07
P7	UPDATED CHARTS TO ELIMINATE THE USE OF THE #8 CLIP (REPLACED WITH #9 ACROSS THE BOARD). DLP 10/24/07
P8	UPDATED STEEL MOUNTING DETAIL MRB 04/11/08
P9	EXPANDED 1-1/2" TO 1-3/8" DOOR THICKNESS CHART UP TO 14' HIGH. GRT 12/11/08
P10	UPDATED TITLE BLOCK GRT 6/2/10
P11	UPDATED TITLE BLOCK. REMOVED CHART. GRT 11/15/13
P12	UPDATED TITLE BLOCK. ESC 6/15/17

DWAYNE J. KORNISH, PE
4576 COUNTY ROAD 160
MOUNT HOPE, OHIO
FL PE 77945 TX PE 117868

PROFESSIONAL ENGINEER'S SEAL PROVIDED ONLY FOR VERIFICATION OF WINDLOAD CONSTRUCTION DETAILS.

TRACK SUPPLEMENT CHART

	DATE	NAME
DRAWN	8/21/07	GRT
CHECKED	8/21/07	MRB
SHEET 2 OF 2		
DRAWING PART NO.	307494	REV. P12